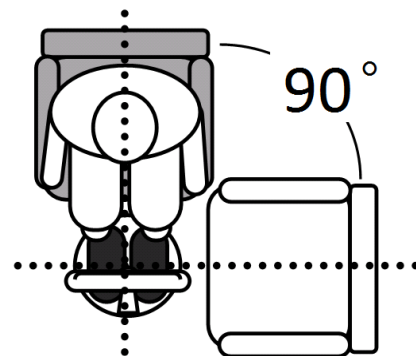


# A5 STANDING TRANSFER STAND & TURN FRAME

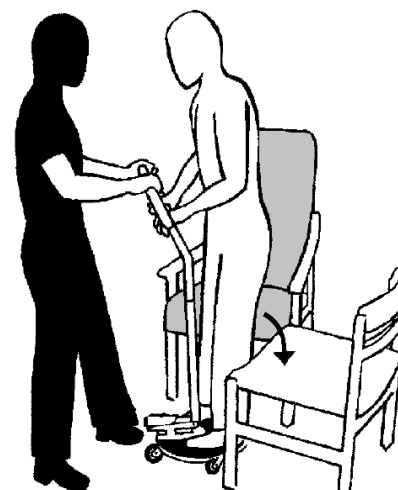
- 1**
- Carer to ensure correct positioning of stand and turn frame, and chair.



- 2**
- Person to shuffle bottom to front of seat.
  - Person to position feet on base plate.
  - Carer to place foot on brake, and hold onto frame providing counterbalance.
  - Person to hold frame, lean forward with head raised and stand.



- 3**
- Once person is standing, carer to remove foot from brake, and swivel frame.



- 4**
- Carer to place foot on brake.
  - Person to sit down.
  - Once seated, carer to remove frame.

