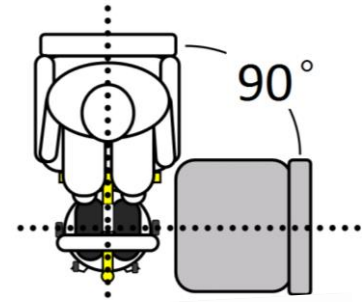


1

- Carer to ensure correct positioning of frame, and chair.



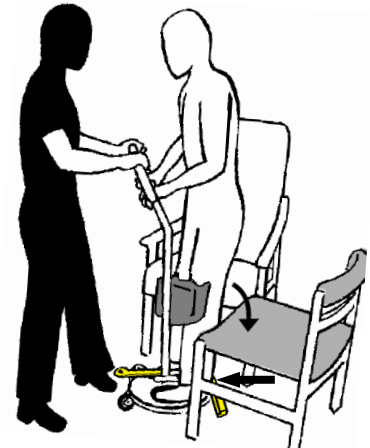
2

- Person to shuffle bottom to front of seat.
- Person to position feet on base plate.
- Carer to extend counterbalance bar underneath chair.
- Person to hold frame, lean forward with head raised and stand.



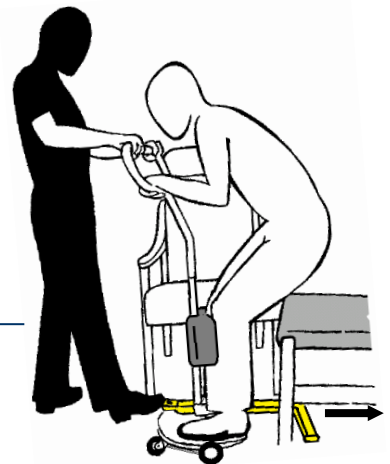
3

- Once person is standing, carer to retract counterbalance bar and swivel frame.



4

- Carer to extend counterbalance bar underneath chair.
- Person to sit down.
- Once seated, carer to remove frame.



- N.B.**
- Once standing with yellow bar extended, carer no longer needs to counterbalance frame so may assist with personal care tasks.