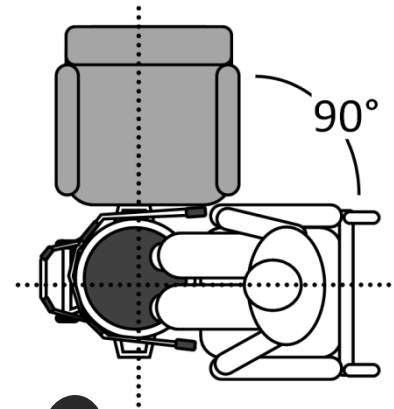


1

- Carer to ensure correct positioning of stand and turn frame, and chair.
- Carer to ensure locking pin is secured in position prior to use.

**2**

- Person to shuffle bottom to front of seat.
- Person to position feet on base plate.
- Carer to hold onto frame.
- Person to hold frame, lean forward with head raised and stand.

**3**

- Once person is standing, carer to release locking pin and swivel frame.

**4**

- Carer to re-engage locking pin.
- Person to sit down.
- Once seated, carer to remove frame.

