

Guidance Notes

This process diagram provides an overview of the process but does not contain all possible outcomes of each step to prevent it from becoming too complicated.

Please refer to the more detailed guidance documents or use the Mosaic workflow screen for more detailed information.

Child in Care Placement Disruption Mosaic Map

Childrens Services Updated May 2021

Key

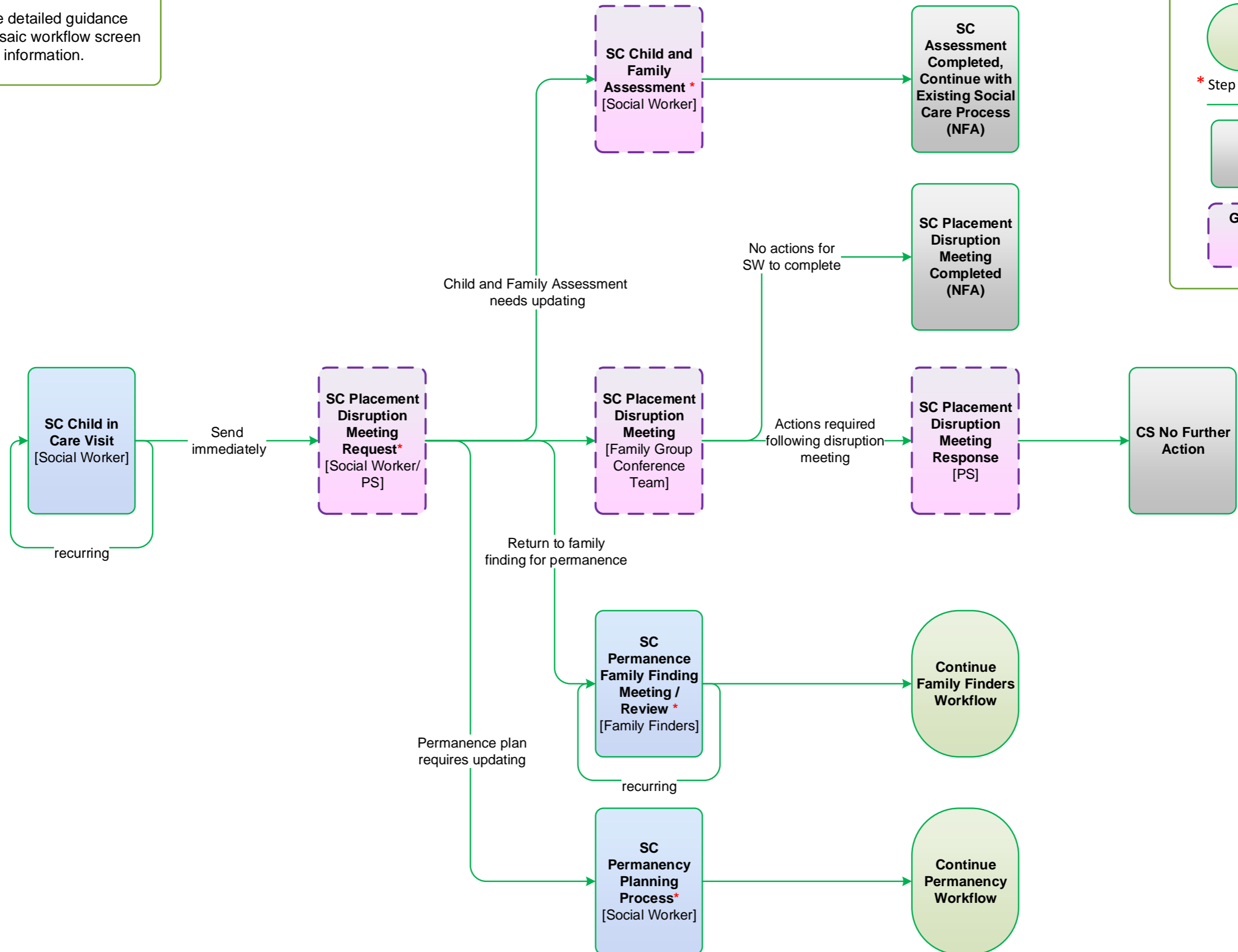
Step Name
[responsible worker/team]

NOT A STEP
Other process

* Step requires authorisation
Next Action →

NFA

Group Step Name
[responsible worker/team]



Guidance Notes

This process diagram provides an overview of the process but does not contain all possible outcomes of each step to prevent it from becoming too complicated.

Please refer to the more detailed guidance documents or use the Mosaic workflow screen for more detailed information.

Foster Carer Placement Disruption Mosaic Map

Childrens Services Updated May 2021

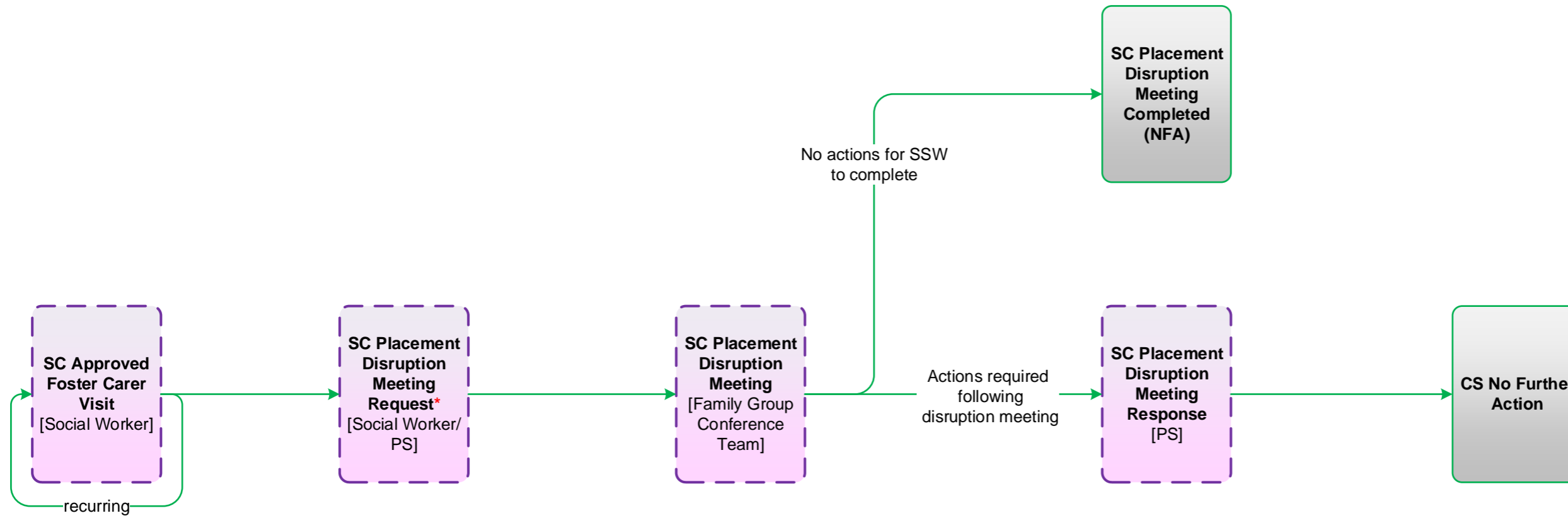
Key

Group Step Name
[responsible worker/team]

* Step requires authorisation

Next Action →

NFA



Guidance Notes

This process diagram provides an overview of the process but does not contain all possible outcomes of each step to prevent it from becoming too complicated.

Please refer to the more detailed guidance documents or use the Mosaic workflow screen for more detailed information.

Adoption Placement Disruption Mosaic Map

Childrens Services Updated May 2021

Key

Step Name
[responsible worker/team]

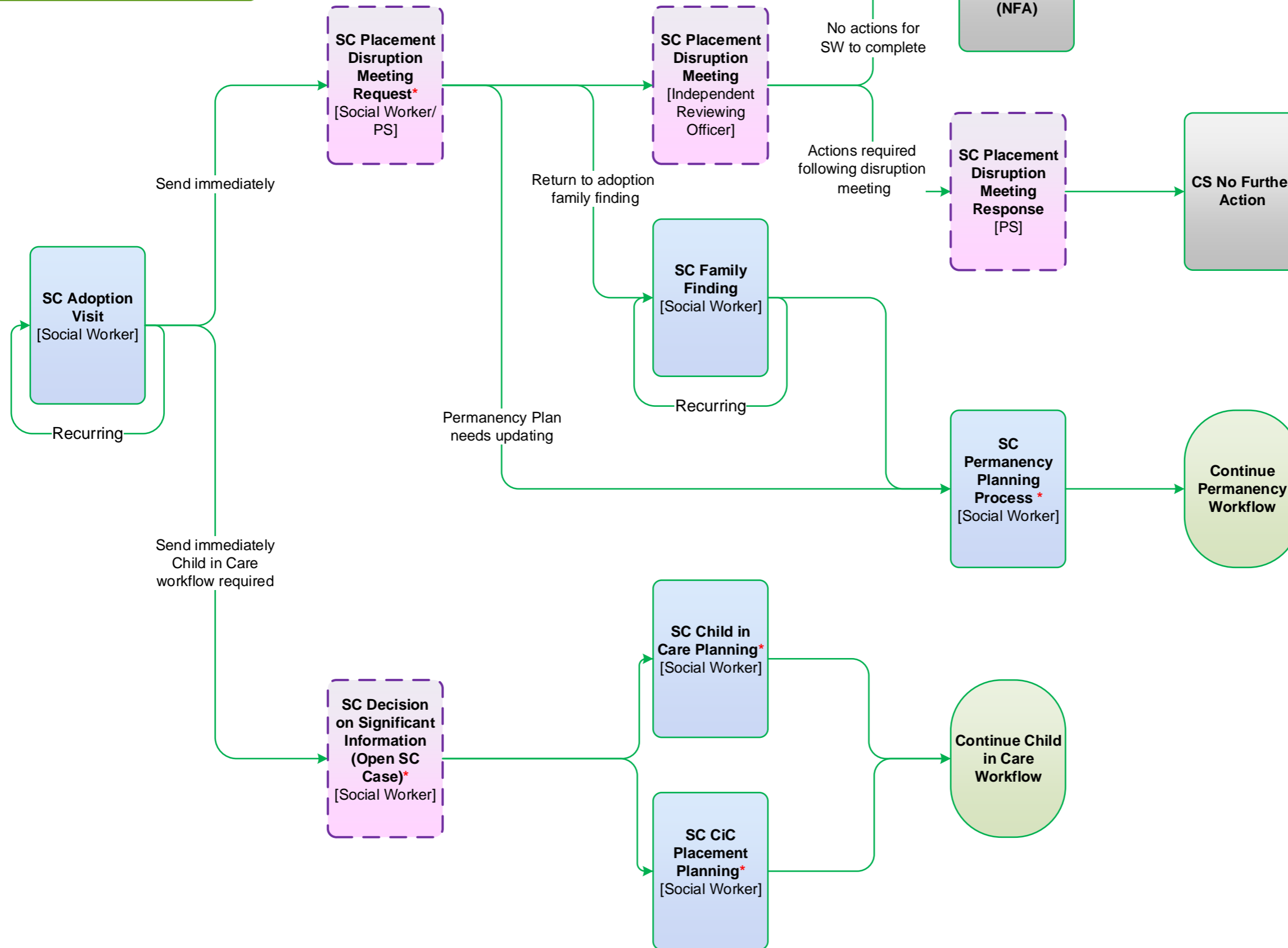
NOT A STEP
Other process

* Step requires authorisation

Next Action →

NFA

Group Step Name
[responsible worker/team]



Guidance Notes

This process diagram provides an overview of the process but does not contain all possible outcomes of each step to prevent it from becoming too complicated.

Please refer to the more detailed guidance documents or use the Mosaic workflow screen for more detailed information.

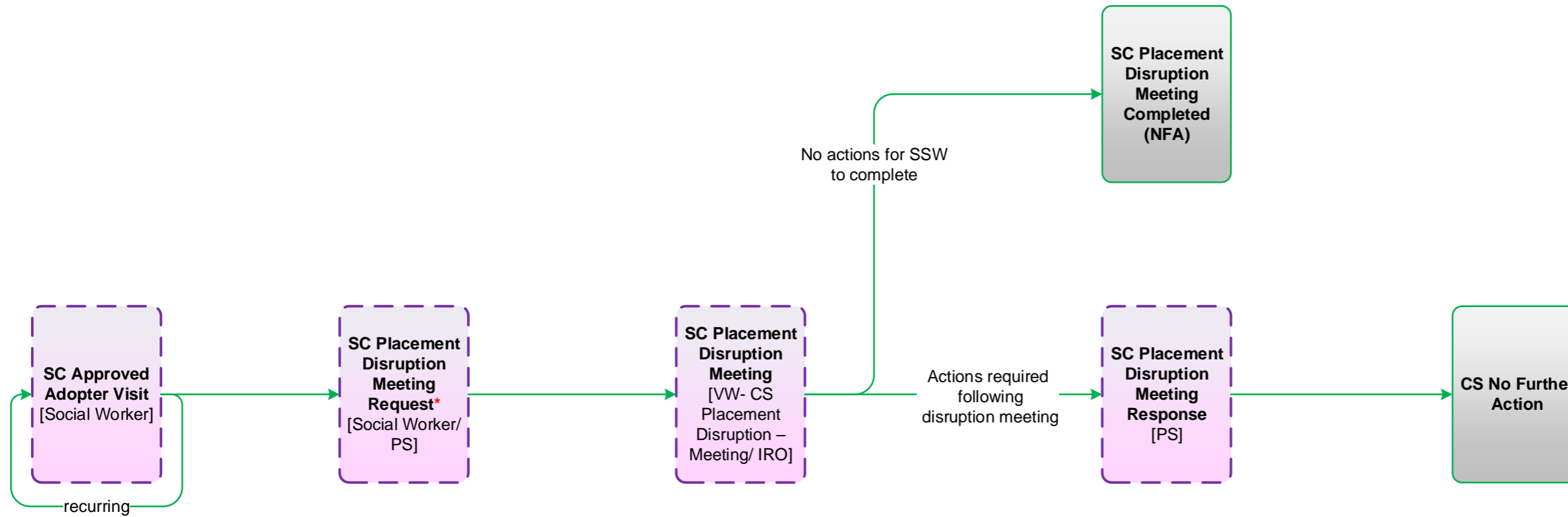
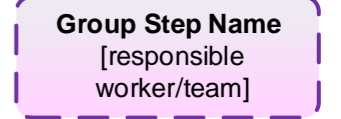
Adopter Placement Disruption Mosaic Map

Childrens Services Updated May 2021

Key

* Step requires authorisation

Next Action →



Guidance Notes

This process diagram provides an overview of the process but does not contain all possible outcomes of each step to prevent it from becoming too complicated.

Please refer to the more detailed guidance documents or use the Mosaic workflow screen for more detailed information.

SGO Placement Disruption Mosaic Map

Childrens Services Updated May 2021

Key

NOT A STEP
Other process

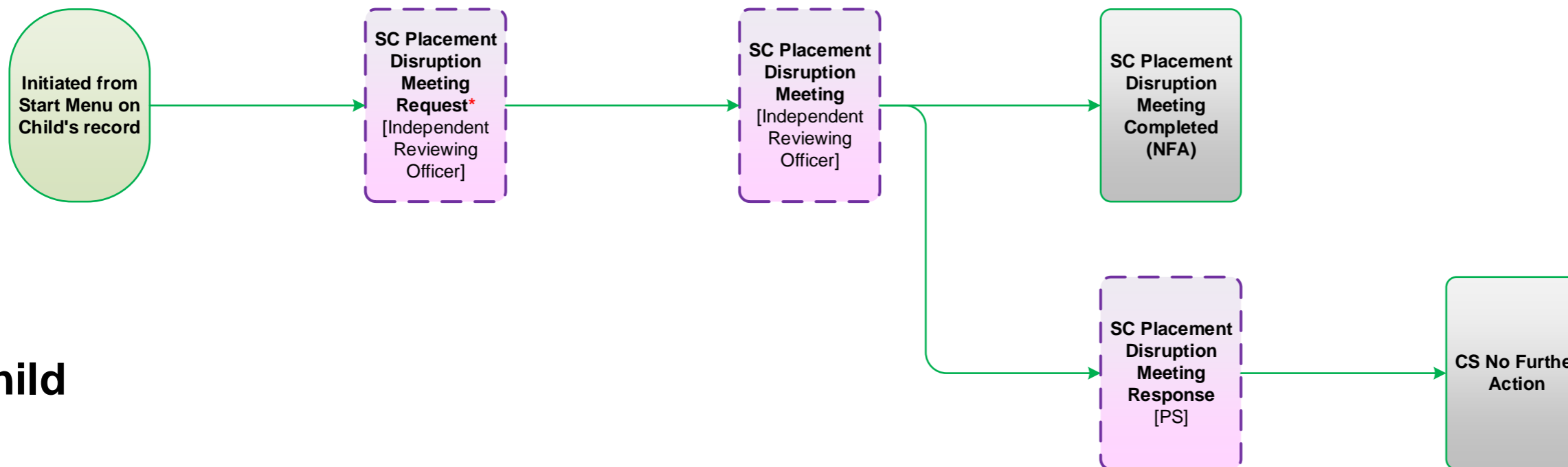
* Step requires authorisation

Next Action →

NFA

Group Step Name
[responsible worker/team]

Child



Carers

